

# MONOFLEX, UNDERARM RELEASE, 1-PIECE

### ADJUSTMENT STRAP WEBBING WIDTH

X-SMALL SMALL	2.5cm (1")
MEDIUM LARGE X-LARGE	4cm (1/2")

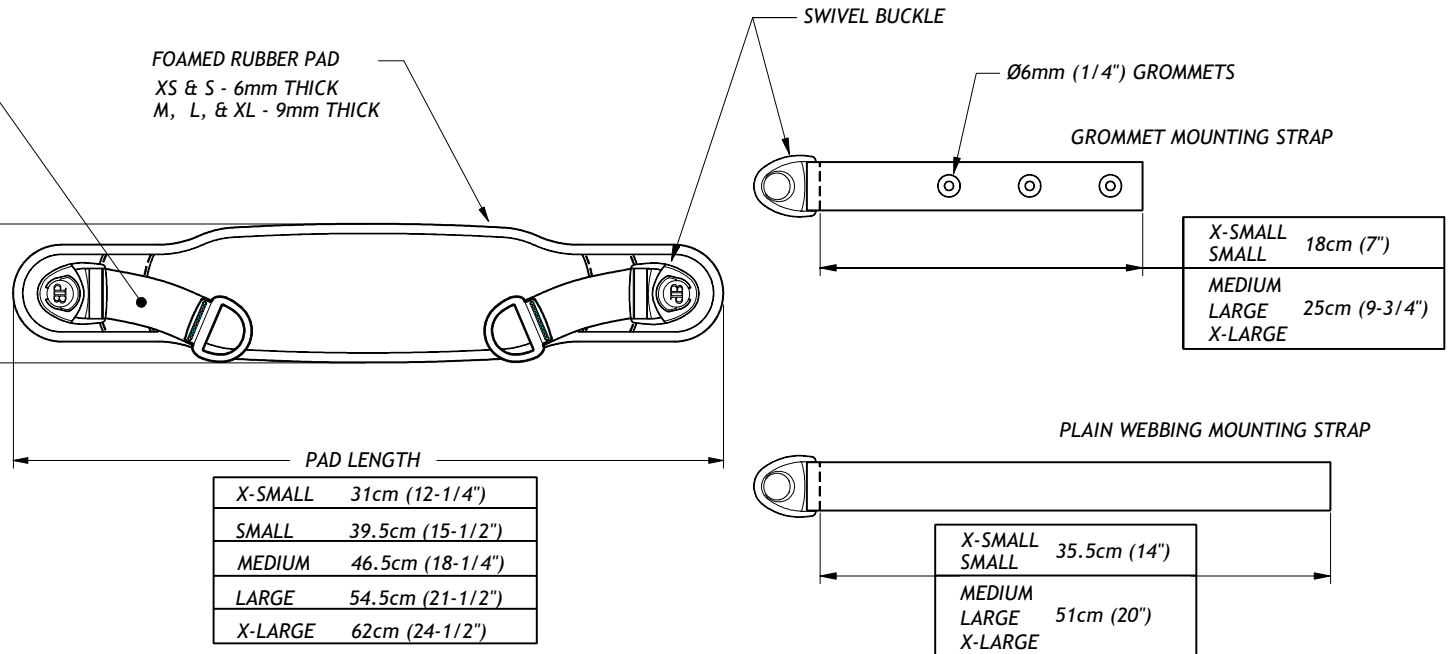
### ADJUSTMENT STRAP RANGE

X-SMALL SMALL	9.5cm (3-3/4")
MEDIUM LARGE X-LARGE	11cm (4-1/4")

### PAD WIDTH

X-SMALL	7cm (2-3/4")
SMALL	7.5cm (3")
MEDIUM	10cm (4")
LARGE	11.5cm (4-1/2")
X-LARGE	12.5cm (5")

FOAMED RUBBER PAD  
XS & S - 6mm THICK  
M, L, & XL - 9mm THICK





X-SMALL	31cm (12-1/4")
SMALL	39.5cm (15-1/2")
MEDIUM	46.5cm (18-1/4")
LARGE	54.5cm (21-1/2")
X-LARGE	62cm (24-1/2")

X-SMALL SMALL	18cm (7")
MEDIUM LARGE X-LARGE	25cm (9-3/4")

X-SMALL SMALL	35.5cm (14")
MEDIUM LARGE X-LARGE	51cm (20")

SIZE	W/ FLAT-MOUNT	W/ CINCH-MOUNT	W/ GROMMET STRAP
X-SMALL	SH120XS-B1	SH120XS-B2	SH120XS-B3
SMALL	SH120S-B1	SH120S-B2	SH120S-B3
MEDIUM	SH120M-B1	SH120M-B2	SH120M-B3
LARGE	SH120L-B1	SH120L-B2	SH120L-B3
X-LARGE	SH120XL-B1	SH120XL-B2	SH120XL-B3

**-B1**  **FLAT-MOUNT  
END FITTING 2x**  
XS & S - 1" HKA1-R-1  
M, L & XL - 1-1/2" HKA1-G-1

**-B2**  **CINCH-MOUNT  
END FITTING 2x**  
XS & S - 1" HKA2-R-1  
M, L & XL - 1-1/2" HKA2-G-1

note

description

## MONOFLEX CHEST SUPPORTS, 1-PIECE & 2-PIECE

drawing no.

**D15-0520-30**

date originated

5/20/2015

drawn by

D. DOUGAL

rev.

**E**

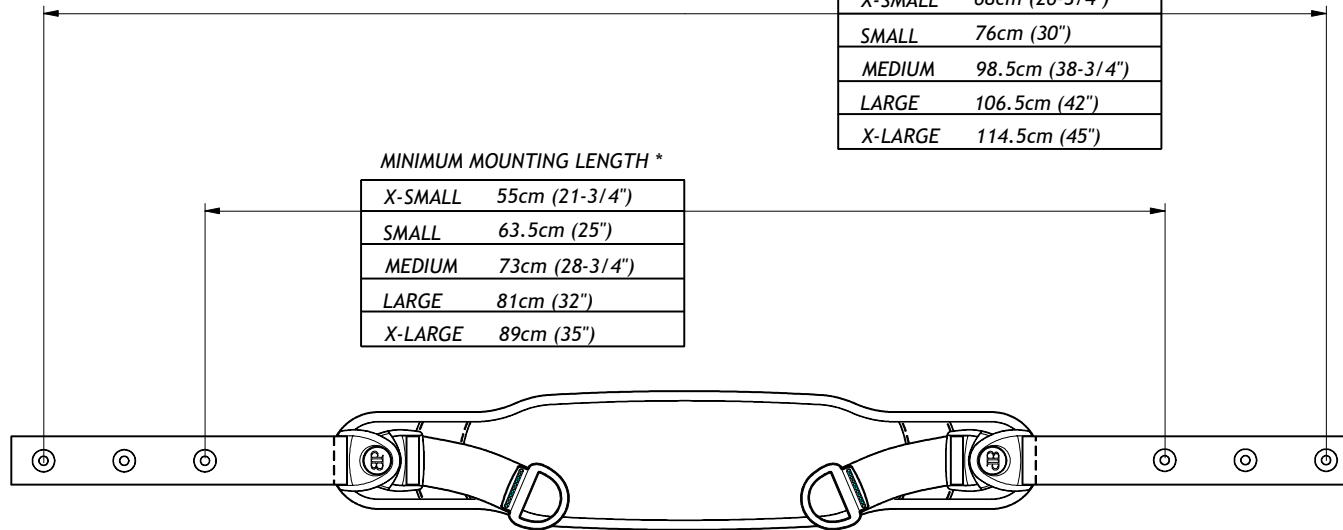
MONOFLEX, UNDERARM RELEASE, 1-PIECE

MAXIMUM MOUNTING LENGTH \*

X-SMALL	68cm (26-3/4")
SMALL	76cm (30")
MEDIUM	98.5cm (38-3/4")
LARGE	106.5cm (42")
X-LARGE	114.5cm (45")

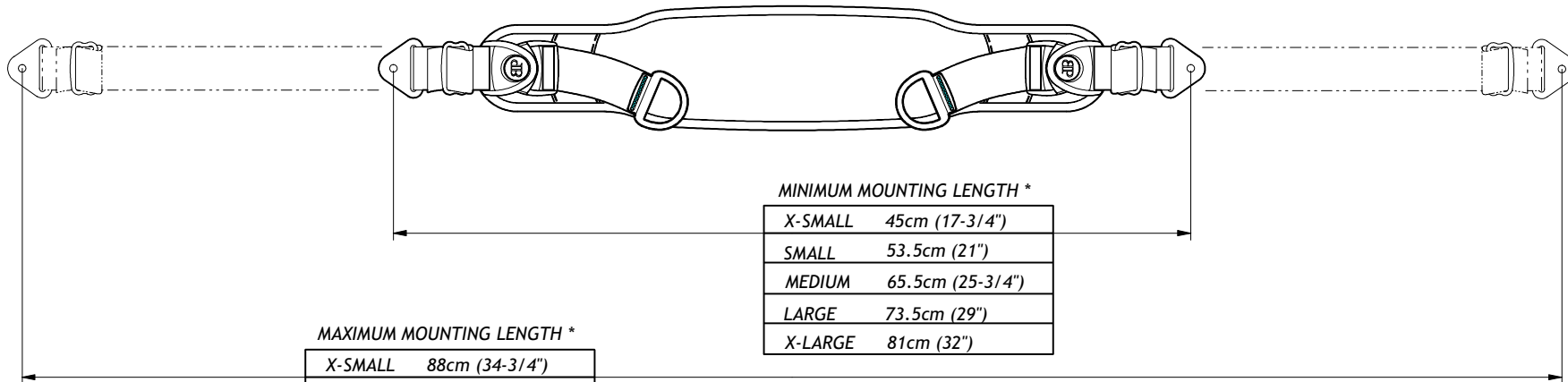
MINIMUM MOUNTING LENGTH \*

X-SMALL	55cm (21-3/4")
SMALL	63.5cm (25")
MEDIUM	73cm (28-3/4")
LARGE	81cm (32")
X-LARGE	89cm (35")



GROMMET MOUNTING STRAP

PLAIN WEBBING MOUNTING STRAP



MINIMUM MOUNTING LENGTH \*

X-SMALL	45cm (17-3/4")
SMALL	53.5cm (21")
MEDIUM	65.5cm (25-3/4")
LARGE	73.5cm (29")
X-LARGE	81cm (32")

MAXIMUM MOUNTING LENGTH \*

X-SMALL	88cm (34-3/4")
SMALL	96.5cm (38")
MEDIUM	131.5cm (51-3/4")
LARGE	140cm (55")
X-LARGE	147cm (58")

\* NOTE: MOUNTING LENGTHS MEASURED WITH 5cm (2") ADJUSTMENT TAKEN UP AT EACH BUCKLE

note

description

**MONOFLEX CHEST SUPPORTS, 1-PIECE & 2-PIECE**

drawing no.

**D15-0520-30**

date originated

5/20/2015

drawn by

D. DOUGAL

rev.

**E**