

Aria Wheels Srls

Registered Office_Via della Divisione Torino, 92 00143 Rome - Italy
Production Department_Via A.Volta 7/G 36030 Costabissara (VI) - Italy
TEL. / FAX +39 04441322533 | VAT id IT 12848301003 | email : info@ariawheels.com

ARIA®

BKRTA

ADULT

Aria® BKRTA, super-light, perfectly adaptable to the dorsolumbar segment.
Assure a good containment without inhibiting the movement of bust and upper limbs.

Shell material: Epoxy painted aluminium
Standard features: a series of holes which allow to adjust the height,
universal central clamp for OD 19 / 22 / 25 mm tubes.
The shell provided with a 30mm high-density foam padding and its relative cover is fire-resistant and moisture-wicking fabric.

Maximum user weight: 120 Kg
Transport weight ± 1.0 kg

€ 610,00

WITH STANDARD FEATURES
(VAT and shipping cost not included)

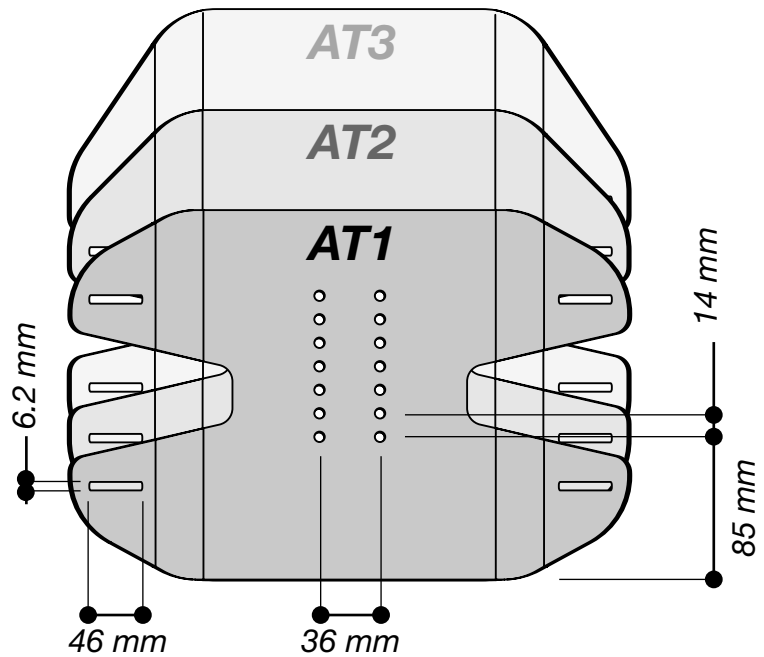
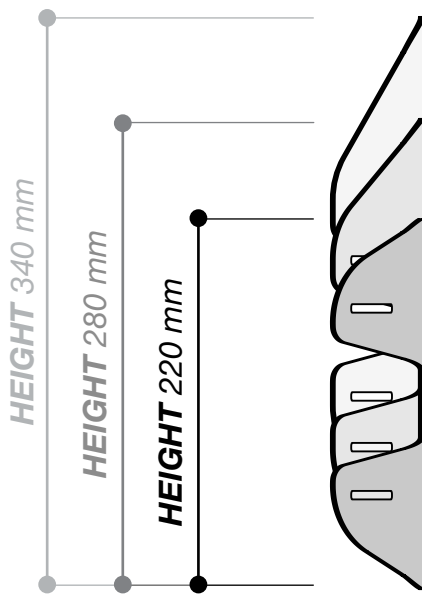
In some countries the price may change by 15%

CUSTOMER NAME AND SURNAME: _____ QUOTATION _____ ORDER _____
DEALER NAME: _____ DELIVERY ADDRESS: _____
PRODUCT SPECIALIST: _____ ORDER NUMBER AND DATE: _____

**Before filling the boxes below regarding the sizes , please see the backrests technical scheme.
Aria Wheels Srls in order to avoid mistakes on the order form, suggests to contact a qualified person for taking the measurements. Aria Wheels can not make changes to the product after receiving the order form.**

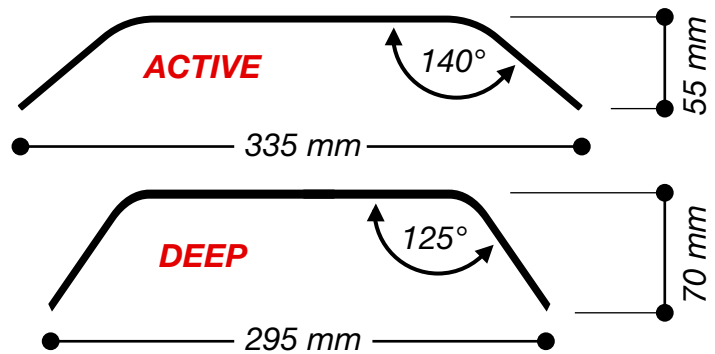
SKETCHES AREA





The aluminium shell is provided with a 30mm high-density foam padding and its relative cover is in fire-resistant, moisture-wicking fabric.

The Ø 6.2mm holes position does not change compared to the different backrest dimensions and typologies



ALUMINIUM BACKREST AT2 WEIGHT (including padding) = ± 1000 gr

Select your preference with a flag in the box

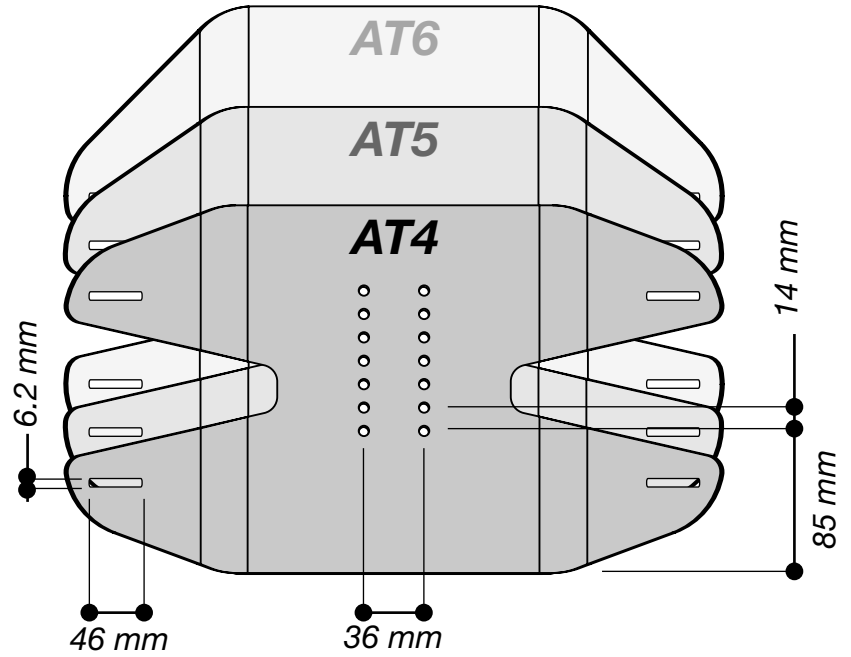
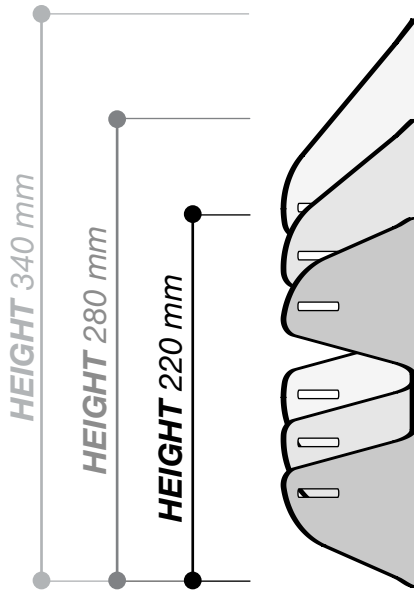
AVAILABLE SHELL SIZES					
AT1A	Size AT1 active	AT1D		Size AT1 deep	610,00 €
AT2A	Size AT2 active	AT2D		Size AT2 deep	610,00 €
AT3A	Size AT3 active	AT3D		Size AT3 deep	610,00 €

BACKREST SUPPORT - central clamp			
ALCMT15	Backrest support for Aria 1.0 Mg		STD
ALCMT36	Backrest support for rigid frame wheelchair*		STD

* Indicates below the model of the wheelchair and the diameter of the tube to fix the clamp - See the last page

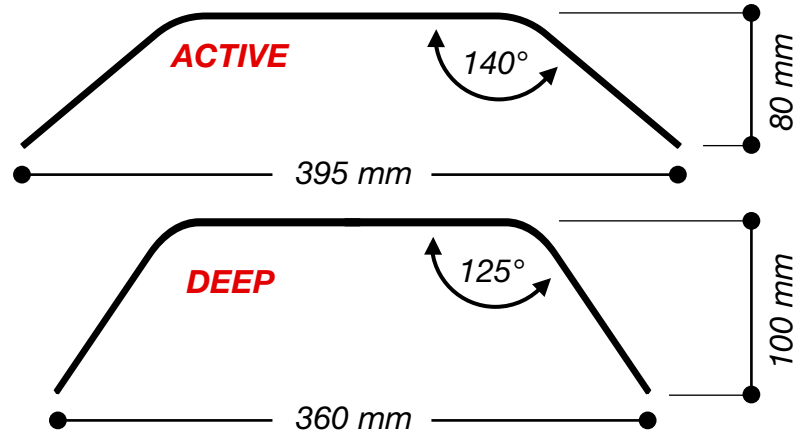
Wheelchair model:		ALCMT36.1	Ø 19mm
	Diameter of the tube to mount the clamp	ALCMT36.2	Ø 22mm
		without any adapter	Ø 25mm





The aluminium shell is provided with a 30mm high-density foam padding and its relative cover is in fire-resistant, moisture-wicking fabric.

The Ø 6.2mm holes position does not change compared to the different backrest dimensions and typologies



Select your preference with a flag in the box

AVAILABLE SHELL SIZES					
AT4A	Size AT4 active	AT4D	Size AT4 deep		610,00 €
AT5A	Size AT5 active	AT5D	Size AT5 deep		610,00 €
AT6A	Size AT6 active	AT6D	Size AT6 deep		610,00 €

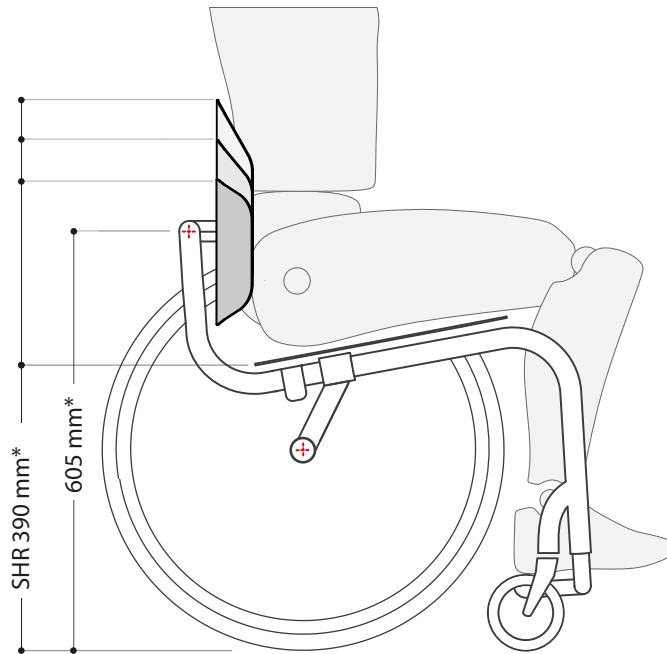
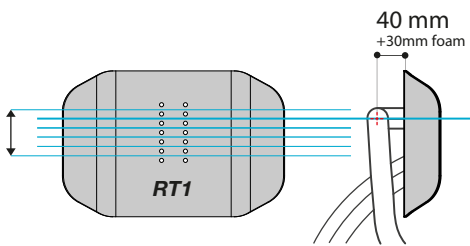
BACKREST SUPPORT - central clamp			
ALCMT15	Backrest support for Aria 1.0 Mg		STD
ALCMT36	Backrest support for rigid frame wheelchair*		STD

* Indicates below the model of the wheelchair and the diameter of the tube to fix the clamp - See the last page

Wheelchair model:	Diameter of the tube to mount the clamp	ALCMT36.1	Ø 19mm
		ALCMT36.2	Ø 22mm
		without any adapter	Ø 25mm

TECHNICAL SCHEME FOR ARIA® WHEELCHAIRS

BRH with T3 or T6 shell from 375 to 420 mm
BRH with T2 or T5 shell from 315 to 360 mm
BRH with T1 or T4 shell from 240 to 300 mm



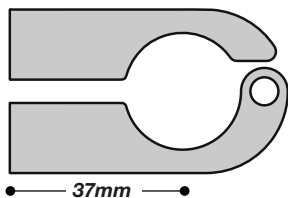
* considered with 24" rear wheels

BACKREST SUPPORT FOR RIGID FRAME WHEELCHAIR (ALCMT36)

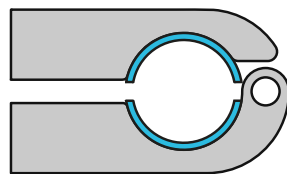


The backrest height, angle and depth are adjustable thanks to the clamp.

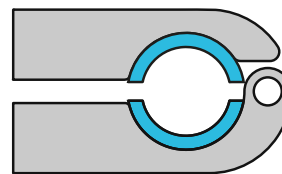
The clamp can be mounted on tubes 25mm, 22mm and 19mm diameter



37mm
ø 25mm



ø 22mm



ø 19mm

FOR SPECIAL NEEDS, PLEASE NOTE THE REQUESTS BELOW: